

# ELECTRODE TYPE LEVEL SWITCH **KF-600**

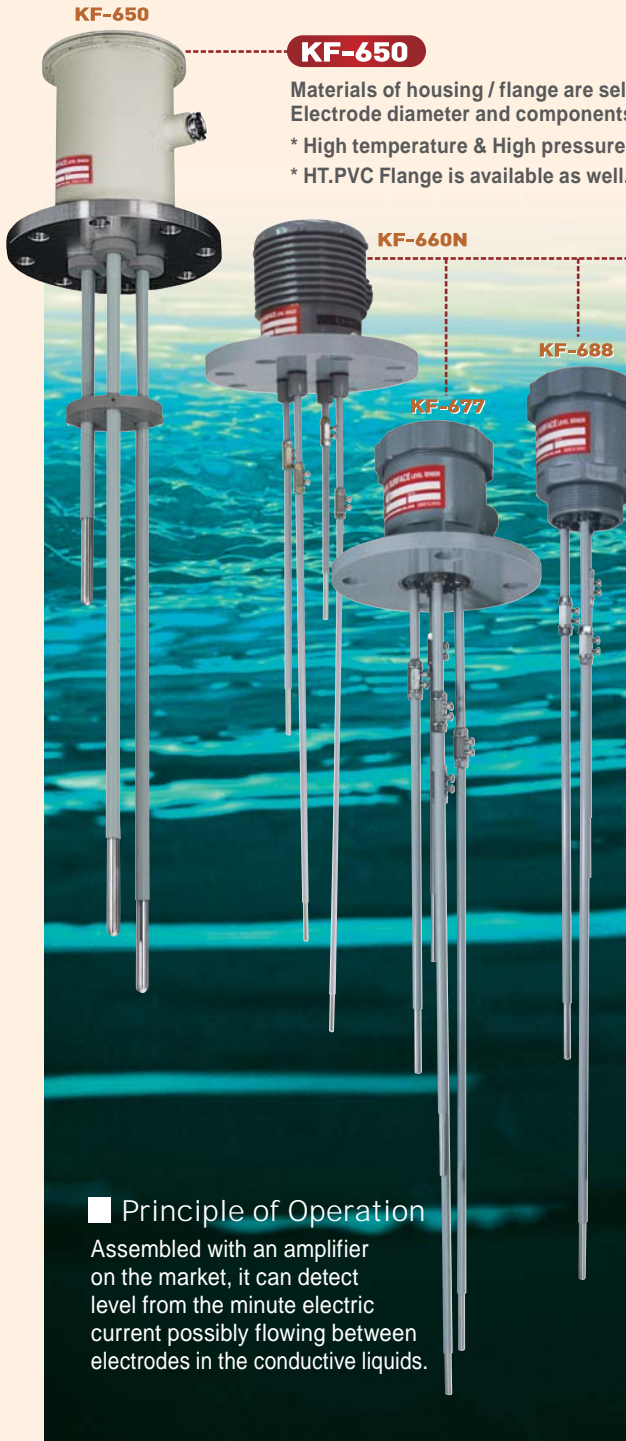


Best Selling Line In Liquid Level Control  
- Good sales record and reliable cost performance -

# KF-600 ELECTRODE TYPE LEVEL SWITCH

Liquid level switch for many different liquid control.  
Robust housing and electrodes of various materials.

\* Special specs available.



## KF-650

Materials of housing / flange are selectable.  
Electrode diameter and components can be selected.

- \* High temperature & High pressure type (KFB640) available..
- \* HT.PVC Flange is available as well.

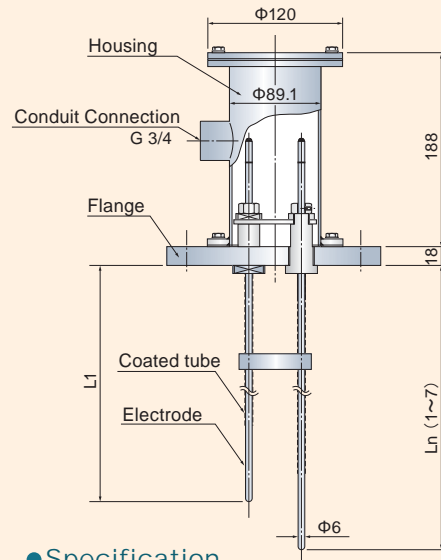
## KF-660N · 677 · 688

Only available is a housing type made of PVC.  
Housing material is PVC.

Material of electrodes is selectable.  
Electrode diameter is  $\Phi 6$  only.

\* ASME & JPI can also be manufactured.

## KF-650



### ● Specification

**Diameter of Electrode :** \* Variable  $\pm 50$ mm possible (Electrode should not be jointed)

**Quantity of Electrode (n) :** 1 - 7

**Separator :** Standard, 1 each by every 2000mm

**Flange :** Over JIS10K100A

**Electrode Material :** SUS304, SUS316, SUS316L, Titanium  
Hastelloy C & B

**Flange Material :** PVC, SS400, SUS304, others

**Housing Material :** PVC, SGP, SUS304, others

**Painted color :** Housing / munsell 5Y 7/1 (SGP only)

Flange / munsell 5Y 7/1 (SS400 only)

**Mat. of sheathed Electrode :** Polyolefin tube, Teflon tube

**Mat. of stilling well :** PVC, SGP, SUS304

\* For long electrode, joint type is available

\* Variable  $\pm 50$ mm possible (Electrode should not be jointed)

\* Withstand pressure type can be available.

\* Option : Housing, Flange / hot-dip galvanizing.

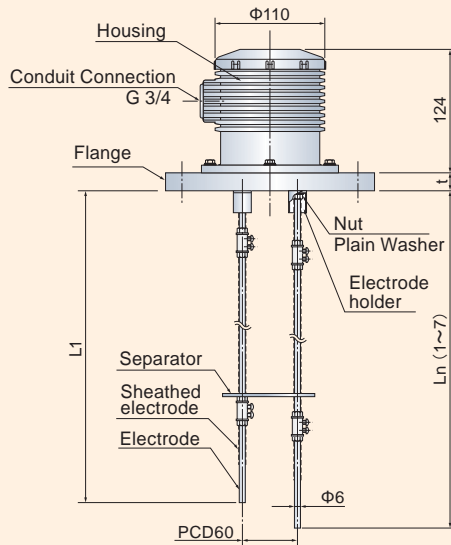
### ■ Principle of Operation

Assembled with an amplifier on the market, it can detect level from the minute electric current possibly flowing between electrodes in the conductive liquids.

**KF-650, Size of Flange / Electrode** \*Square flange and ASME/JPI flange can be available.

Diameter of Electrode	$\Phi 6 / \Phi 8$	$\Phi 10 / \Phi 12$	$\Phi 15 / \Phi 20$			
Quantity of Electrode	1 - 7	1 - 3	4 - 7	1	2 - 4	5 - 7
Smallest flange = JIS10K	100A		125A	100A	125A	200A

## KF-660N



### ● Specification

**Diameter of Electrode** : Φ6mm only

**Length of Electrode** : Connected at every 1000mm for extension

**Quantity of Electrode (n)** : 1 - 9

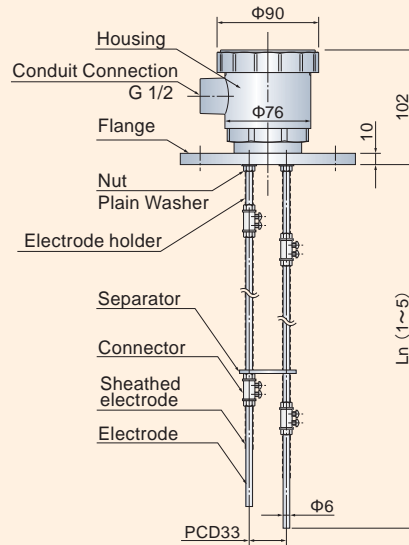
**Separator** : Standard, 1 each by every 2000mm

**Flange** : Over JIS10K100A

**Flange Material** : PVC, HT.PVC

**Housing Material** : PVC

## KF-677



### ● Specification

**Diameter of Electrode** : Φ6mm only

**Length of Electrode** : Connected at every 1000mm for extension

**Quantity of Electrode (n)** : 1 - 5

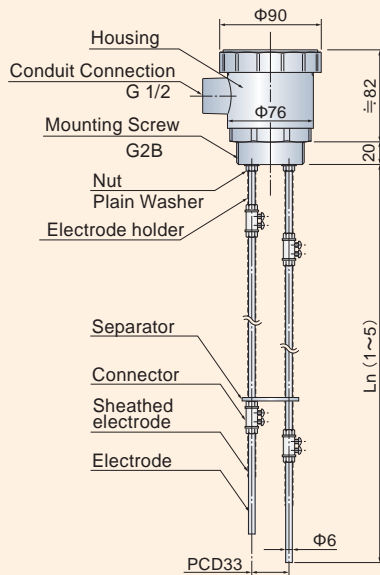
**Separator** : Standard, 1 each by every 1000mm

**Flange** : Over JIS10K50A-80A

**Flange Material** : PVC

**Housing Material** : PVC

## KF-688



### ● Specification

**Diameter of Electrode** : Φ6mm only

**Length of Electrode** : Connected at every 1000mm for extension

**Quantity of Electrode (n)** : 1 - 5

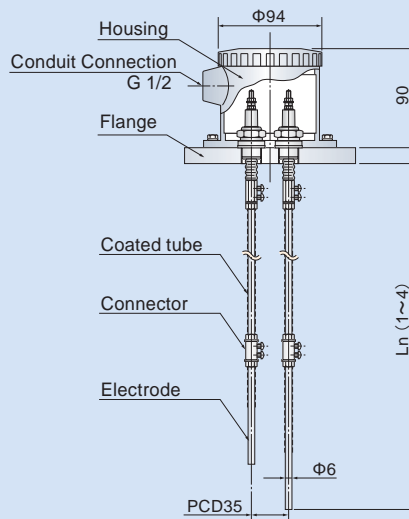
**Separator** : Standard, 1 each by every 1000mm

**Mounting Screw** : G2B

**Mounting Screw Material** : PVC

**Housing Material** : PVC

## KFB 640 Special/High Temp. High Pressure, others



### ● Specification

**Diameter of Electrode** : Φ6mm only

**Length of Electrode** : Connected at every 1000mm for extension

**Quantity of Electrode (n)** : 1 - 4

**Separator** : Standard, 1 each by every 1000mm

**Flange** : 50A, JIS10K

**Electrode Material** : SUS316, Titanium, Hastelloy C

**Flange Material** : SS400, SUS304, SUS316

**Housing Material** : AC

\*When the electrode exceeds 5, use the housing for KF-650 equivalent.

### ■ Material Table(KF-660N / -677 / -688) \*Electrode consisting of hastelloy C & B is an unspliced bar.

<b>Material of electrode rod</b>	▶ SUS316	SUS316L	Titanium	Hastelloy C
<b>Mat. of sheathed electrode</b>	▶ Polyolefin	Teflon-tube	others	[ ]
<b>Material of separator</b>	▶ PVC	Teflon	others	[ ]
<b>Material of stilling well</b>	▶ PVC	others	[ ]	[ ]

## Type Designation

KF-6□□-□

**Quantity of Electrode** = 1, 2, 3, 4, 5, 6, 7

**Specification = 50**

**Terminal box fixing** = Bolt on flange.  
**Flange dimensionstable** = The size is available from the smallest one shown on the table.  
**Material** = Selective  
**Diameter of Electrode** = Φ6/ 8/ 10/ 15/ 20  
**Quantity of Electrode** = up to 7 rods

**= 60N**

**Terminal box fixing** = Bolt on flange  
**Flange dimensionstable** = Available from the minimum size of JIS10K100A.  
**Material** = Only available is the standard housing/flange made of PVC.  
 Material of other parts is selective.  
 \*Option : Ones made of HT & PVC can be available.

**Diameter of Electrode** = Φ6 only  
**Quantity of Electrode** = up to 9 rods

**= 77**

**Terminal box fixing** = Integrated flange  
**Flange dimensionstable** = JIS10K50A-80A  
**Material** = Only available is the standard housing/flange made of PVC  
 Material of other parts is selective.

**Diameter of Electrode** = Φ6 only  
**Quantity of Electrode** = up to 5 rods, 6-rod type is KF-670-6.

**= 88**

**Terminal box fixing** = Integrated thread.  
**Mounting Dimensions** = G2B thread only  
**Material** = Only available is the standard housing/flange made of PVC  
 Material of other parts is selective.

**Diameter of Electrode** = Φ6 only  
**Quantity of Electrode** = up to 5 rods, 6-rod type is KF-680-6.

Special Specification / High temp, High pressure, others

KFB640-□

**Quantity of Electrode** = 1, 2, 3, 4

**Specification = Terminal box fixing** = Bolt on flange

**Flange dimensionstable** = JIS10K50A

**Material** = Terminal box is made of AC and flange SUS304 (standard)

**Diameter of Electrode** = Φ6 only

**Quantity of Electrode** = up to 4 rods, Consult with us for more than 4.

## Number / Length of Electrode

TAG.No	NBR	n = POLE	Shor test ←————→ Longest						
			L 1	L 2	L 3	L 4	L 5	L 6	L 7

## Line of business

- Rotary Paddle Type Level Switch
- Vibration Type Level Switch
- Swing Type Level Switch
- Acoustic Level Switch
- Capacitance Type Level Switch
- Capacitive Proximity Sensor
- Capacitance Type Level Indicator
- Diaphragm Type Level Switch
- Tilt Switch
- Leak Type Level Switch
- Microwave Switch
- Sounding Bob Type Level Indicator
- Flow Switch
- Conductance Type Level Switch
- Float Switch
- Float Type Level Indicator
- Ultrasonic Type Level Indicator
- Equipments For Conveyor Lines
- Dust Monitor System
- Zirconia Oxygen Analyzer
- Laser Type Level Indicator
- RADAR Type Level Indicator
- Ultrasonic Flow meter

General Manufacturer of Level Controllers for Powder, Granules, and Liquid



**KANSAI Automation Co., Ltd.**

**Headquarters :**

2-14, Togano-cho, Kita-ku, Osaka 530-0056, Japan  
 TEL. 81-6-6312-2071 FAX. 81-6-6314-0848  
 e-mail: info@kansai-automation.co.jp

<http://www.kansai-automation.co.jp>

**Tokyo Branch:** 1-29-6, Hamamatsu-cho, Minato-ku, Tokyo 105-0013, Japan  
 TEL. 81-3-5777-6931 FAX. 81-3-5777-6933

**Nagoya Office:** 3-10-17, Uchiyama, Chigusa-ku, Nagoya 464-0075, Japan  
 TEL. 81-52-741-2432 FAX. 81-52-741-1588

**Hiroshima Office:** 13-11, Noborimachi, Naka-ku, Hiroshima 730-0016, Japan  
 TEL. 81-82-222-1555 FAX. 81-82-222-1556

**Kyushu Office:** 1-1-21, Komemachi, Kokura Kita-ku, Kitakyushu 802-0003, Japan  
 TEL. 81-93-511-4741 FAX. 81-93-511-4580



official site



\*Please be sure to read USER'S GUIDE, Installation & Operation Instructions before using the instrument.

\*The specifications herein may be subject to change without advance notice.

Agent



**SCIGATE AUTOMATION (S) PTE LTD**

No.1 Bukit Batok Street 22 #01-01 Singapore 659592  
 Tel: (65) 6561 0488 Fax: (65) 6562 0588  
 Email: sales@scigate.com.sg Web: www.scigate.com.sg  
 Business Hours: Monday - Friday 8.30am - 6.15pm